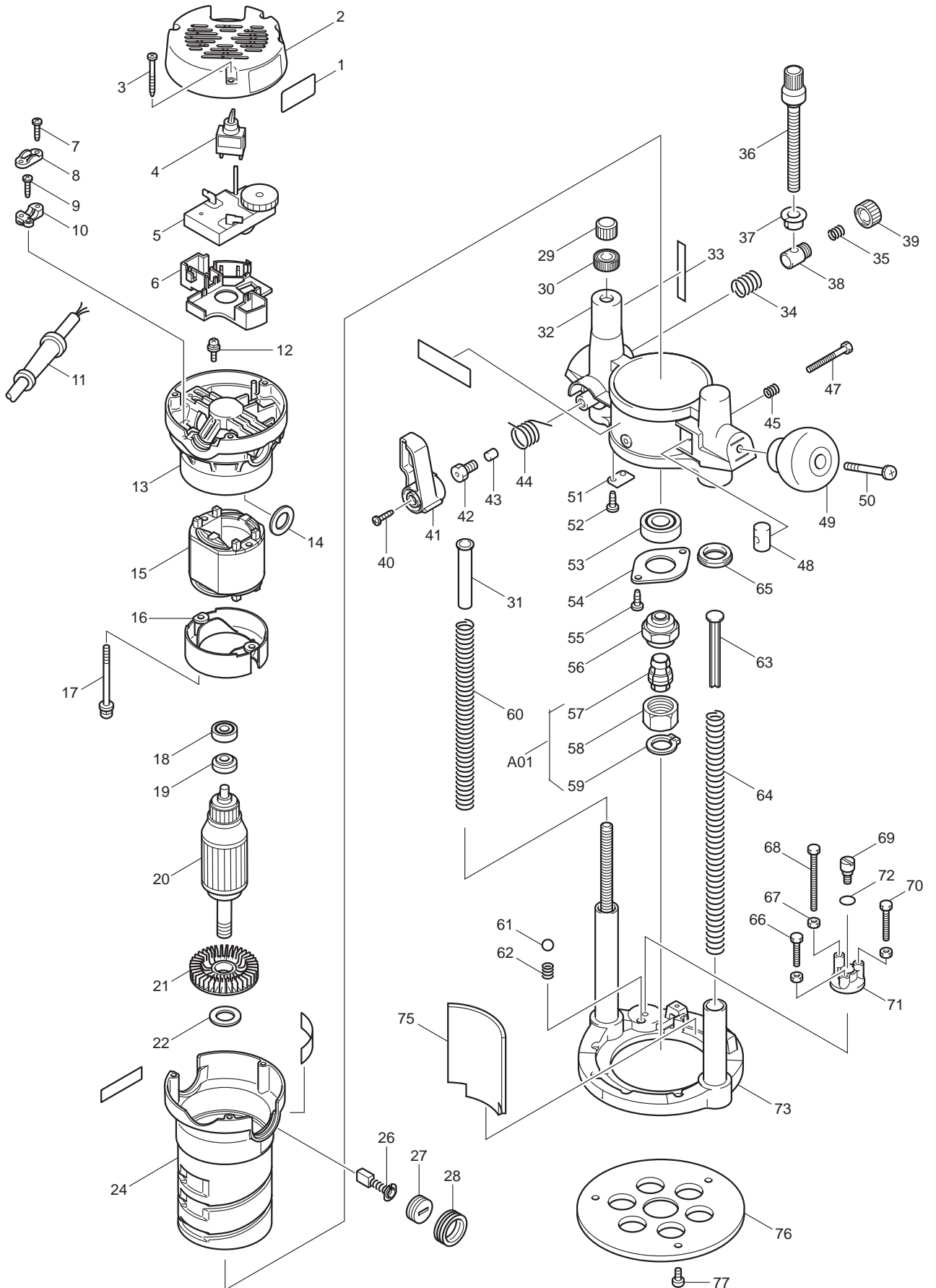




11 - 2010
RP1101
2-1/4" H.P. ROUTER V.S



Item No	Type	Ref	Part No	Description	Qty	Unit
1			812990-3	INDICATION LABEL	1	PC.
2			417140-1	REAR COVER	1	PC.
3			266203-8	TAPPING SCREW BIND CT 4X40	3	PC.
4			651423-1	SWITCH	1	PC.
5			631397-2	CONTROLLER	1	PC.
6			417143-5	CONTROLLER HOLDER	1	PC.
7			265995-6	TAPPING SCREW 4X18	2	PC.
8			687052-4	STRAIN RELIEF	1	PC.
9			266034-5	TAPPING SCREW CT 4X16	1	PC.
10			687100-9	STRAIN RELIEF	1	PC.
11			565056-5	CORD W/PLUG 3P-16-2.5M, SJ	1	PC.
		INC.	654110-1	INSULATED RECEPTACLE	1	PC.
		INC.	654113-5	TERMINAL 34108	1	PC.
		INC.	654117-7	INSULATING TERMINAL	1	PC.
		INC.	682505-8	CORD GUARD 10-90	1	PC.
12			652014-1	PAN HEAD SCREW M4X8	1	PC.
13			151879-3	MOTOR REAR HOUSING COMPLETE	1	PC.
		INC.	643708-9	BRUSH HOLDER 5-11	2	PC.
14			681009-7	WASHER	2	PC.
15			594356-6	FIELD ASS'Y 115V	1	PC.
		INC.	654069-2	RECEPTACLE	1	PC.
		INC.	654020-2	RING TERMINAL	2	PC.
		INC.	654501-6	CONNECTOR P-1.25	2	PC.
16			417136-2	BAFFLE PLATE	1	PC.
17			911686-4	PAN HEAD SCREW M5X65	2	PC.
18			210005-4	BALL BEARING 608DDW	1	PC.
19			681650-6	INSULATION WASHER	1	PC.
20			518633-2	ARMATURE ASS'Y 115V (OLD# 516406-7 - N/L/A)	1	PC.
		INC.		Item. 18,19,21		
21			240031-9	FAN 60	1	PC.
22			253853-8	FLAT WASHER 15	1	PC.
24			317319-3	MOTOR HOUSING	1	PC.
26	1		191963-2	CARBON BRUSH CB-303 2PC/SET (W/O ORIGIN) -N/L/A	1	SET
	2		194996-6	CARBON BRUSH CB-303 2PC/SET (W/ ORIGIN)	1	SET
27			643750-0	BRUSH HOLDER CAP	2	PC.
28			681655-6	HOLDER RING	2	PC.
29			252643-6	WING NUT M10	1	PC.
30			410129-8	NYLON NUT M10	1	PC.
31			417320-9	SILENT POLE	1	PC.
32			183358-3	SLIDE BASE	1	PC.
		INC.		Item. 33		
33			816804-8	SCALE PLATE	1	PC.
34			231231-2	COMPRESSION SPRING 12	1	PC.
35			231419-4	* COMPRESSION SPRING 5 (Old)	1	PC.
36			265749-1	SCREW 3/8-16UNC	1	PC.
37			417548-9	DEPTH POINTER	1	PC.
38			153475-3	* HALF NUT COMPLETE (OLD# 324104-7 - N/L/A)	1	PC.
39			252644-4	* THUMB NUT M14 (Old)	1	PC.
40			911118-1	PAN HEAD SCREW M4X12	1	PC.
41			417546-3	LEVER 55	1	PC.
42			266275-3	SET BOLT B8X16	1	PC.
43			323856-7	LOCK PIN	1	PC.

Item No	Type	Ref	Part No	Description	Qty	Unit
44			231651-0	TORSION SPRING 16	1	PC.
45			231456-8	COMPRESSION SPRING 7	1	PC.
47			911273-9	PAN HEAD SCREW M5X50	1	PC.
48			324105-5	LOCK NUT M5	1	PC.
49			271313-8	KNOB 55	2	PC.
50			911378-5	PAN HEAD SCREW M6X55	2	PC.
51			344217-8	GUIDE PLATE	1	PC.
52			266026-4	TAPPING SCREW BIND CT 4X12	2	PC.
53			211228-7	BALL BEARING 6202DDW	1	PC.
54			285689-7	BEARING RETAINER 55	1	PC.
55			266035-3	TAPPING SCREW BIND CT 5X12	2	PC.
56			763641-0	COLLET BODY	1	PC.
58			763642-8	COLLET NUT	1	PC.
59			961056-7	RETAINING RING S-16	1	PC.
60			233303-9	COMPRESSION SPRING 13	1	PC.
61			216009-4	STEEL BALL 7.1	1	PC.
62			231419-4	COMPRESSION SPRING 5	1	PC.
63			417252-0	POLE	1	PC.
64			233302-1	COMPRESSION SPRING 12	1	PC.
65			213323-9	DUST SEAL 20	2	PC.
66			265333-2	+ HEX. BOLT M5X16	1	PC.
67			931202-6	HEX. NUT M5	3	PC.
68			265336-6	+ HEX. BOLT M5X40	1	PC.
69			251467-7	- FLAT HEAD SCREW J6	1	PC.
70			265335-8	+ HEX. BOLT M5X28	1	PC.
71			315931-3	STOPPER	1	PC.
72			213030-4	O RING 8	1	PC.
73			152878-8	BASE COMPLETE	1	PC.
75			417547-1	CHIP DEFLECTOR	1	PC.
76			417138-8	BASE PLATE	1	PC.
77			265081-3	+ P.H.SCREW W3/16-24X10	3	PC.
100			652008-6	P.H. SCREW M3.5X7	2	PC.
101			654037-5	INSULATED EYE TERMINAL	1	PC.
106			654198-1	INSULATED TERMINAL	1	PC.

ACCESSORIES

- See catalogue or visit www.makita.ca for more optional accessories -

A01			193214-9	COLLET CONE 1/4" 6.35	1	PC.
			193215-7	COLLET CONE 1/2" 12.7	1	PC.
	INC.		763643-6	COLLET CONE 1/2" (Item 57) - N/A as individually	1	PC.
	INC.			Item. 58-59		
A02			781031-5	WRENCH 27	2	PC.
A03			781213-9	WRENCH 8	1	PC.
A04			193073-1	STRAIGHT GUIDE	1	PC.
A05			193155-9	CLEAR BASE PLATE	1	PC.
A06			252627-4	NUT M30	1	PC.
A07			P-80009	DUST NOZZLE SET	1	PC.
A08			763805-6	COLLET SLEEVE 3/8"	1	PC.

SERVICE CHANGES

1. Changes on Halt Nut, Compression Spring, etc.

Item No.	Description	Type 1	Type 2
38	Halt Nut	324104-7	153475-3
35	Compression Spring 5	231419-4	-----
39	Thumb Nut M14	252644-4	-----

Above parts are completely interchangeable as a set.

